

**VAN DER VALK**



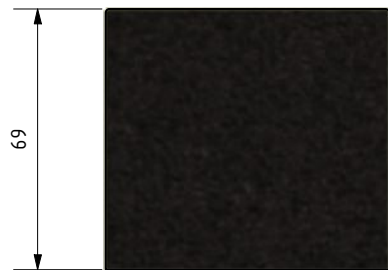
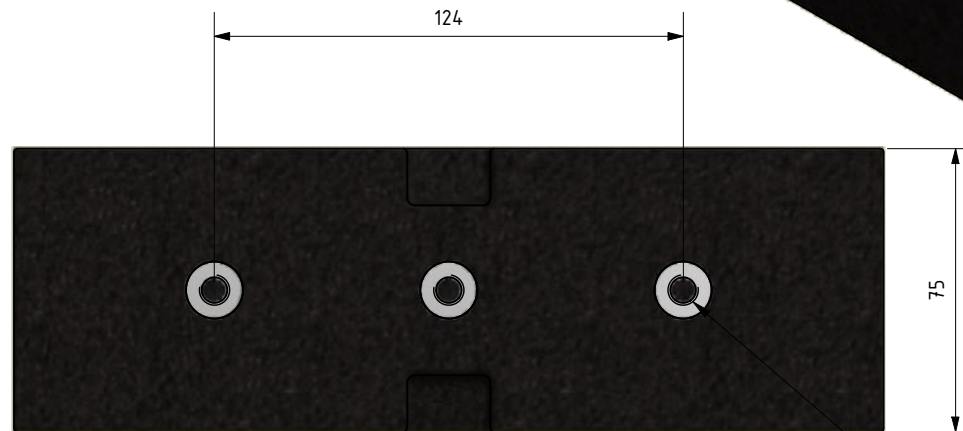
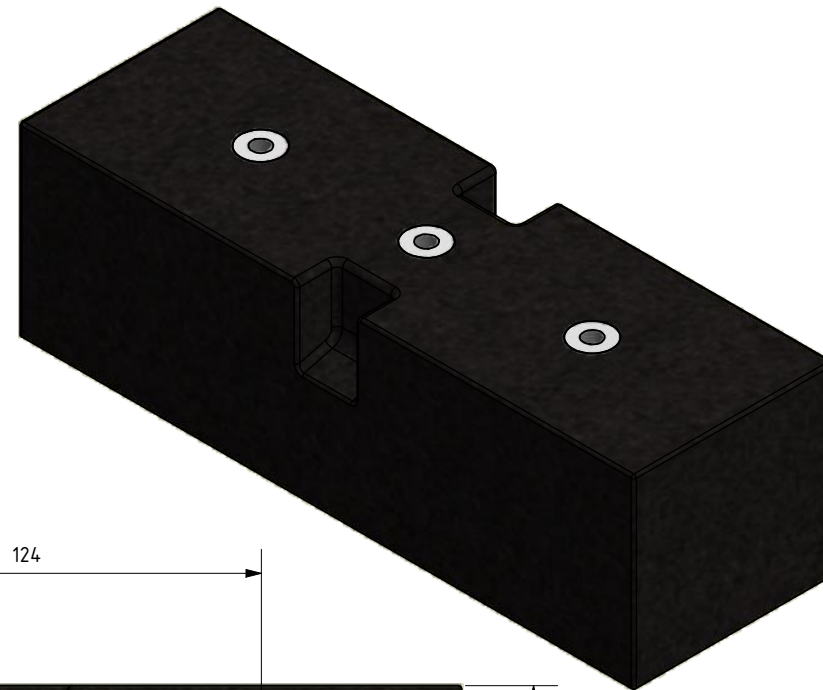
**SOLAR SYSTEMS**  
www.valksolarsystems.nl

Art. nr: 76.02.08

Description:  
Rubber Daksteun Access

Revision:

Comments:



M8 thread depth: 10mm  
Hole depth from top surface: 45mm