

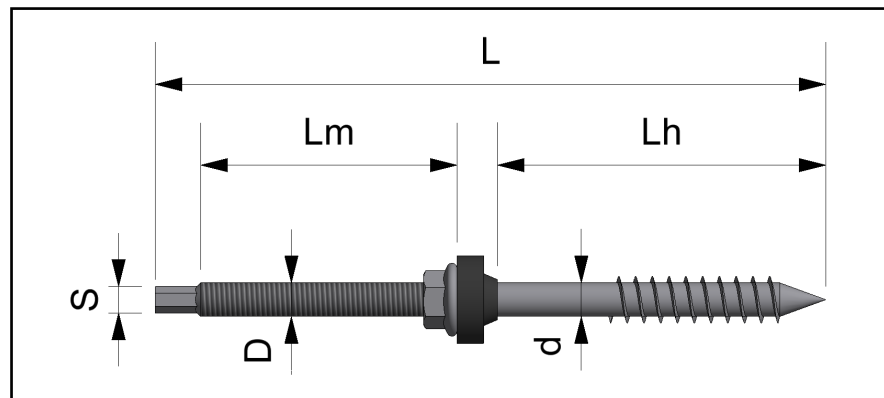
# Datasheet **SS hanger bolts for wooden purlins**

## Technical specifications

- Stainless steel hanger bolt for fixation into wooden purlins on corrugated and trapezoidal roofs.
- With EPDM washer for watertight seal.

## Article information

Item number	Description	d [mm]	D	L [mm]	Lh [mm]	Lm [mm]	S
747915	SS hanger bolt M10x200mm	8	M10	200	67	85	SW7
747917	SS hanger bolt M10x250mm	8	M10	250	67	85	SW7
747918	SS hanger bolt M10x300mm	8	M10	300	67	150	SW7
747920	SS hanger bolt M10x250mm	10	M12	250	100	100	SW9
747922	SS hanger bolt M10x350mm	10	M12	350	100	195	SW9



## Use

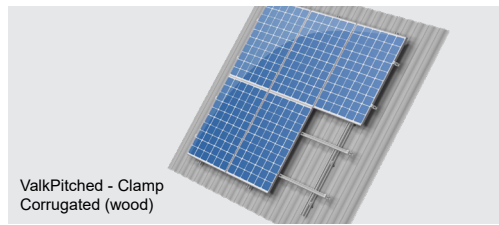
- The building authority approval should always be noted.
- Pre-drilling is required for the wooden substructures. The required diameter for the drill is shown in the table below:

Screw diameter d	Pre-drilling Ø	Minimal screw depth
8 mm	5,5 mm	32 mm
10 mm	7,0 mm	40 mm

*Comment: The specific drill diameters are often not kept on stock at your tools supplier and therefore a delivery time needs to be taken into account. Please keep this in mind for the planning of the installation.*

## Wood quality

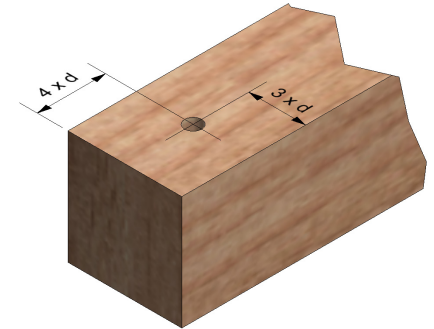
The hanger bolt can be used for wooden purlins, that are in strength class C24 or higher, in line with DIN 1052:2008-12.



# Datasheet **SS hanger bolts for wooden purlins**

## Edge distance

Eurocode EN 1995-1-1, section 8.5.1 describes the distance from the centre of the hanger bolt to the edge of the wooden purlin should be at least according to the dimensions on the right:



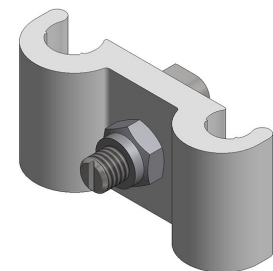
## Screw depth

The depth of the screw into the wood, determines the maximum load bearing capacity per hanger bolt. The table below shows the maximum load bearing capacity over a long period (exceeding 10 years):

Screw depth into the wood [mm]	Max. load bearing capacity d=8 mm in [N]	Max. load bearing capacity d=10mm in [N]
32	1320	-
40	1650	2060
45	1850	2320
48	1980	2470
50	2060	2570
56	2310	2880
60	2470	3090
64	2630	3290
70	2880	3600
72	2960	3700
80	3290	4120
85	3500	4370
88	3620	4530
90	3700	4630
96	3950	4940
100	4120	5150

## Hanger bolt clamp

For the mounting of the profiles on the hanger bolts, Valk Solar Systems has developed a special aluminium clamp: 721100. This clamp is supplied with hammerhead bolt and nut pre-mounted for quick installation.



**CONTACT DETAILS VAN DER VALK SOLAR SYSTEMS | DEVELOPER AND PRODUCER OF SOLAR MOUNTING SYSTEMS**