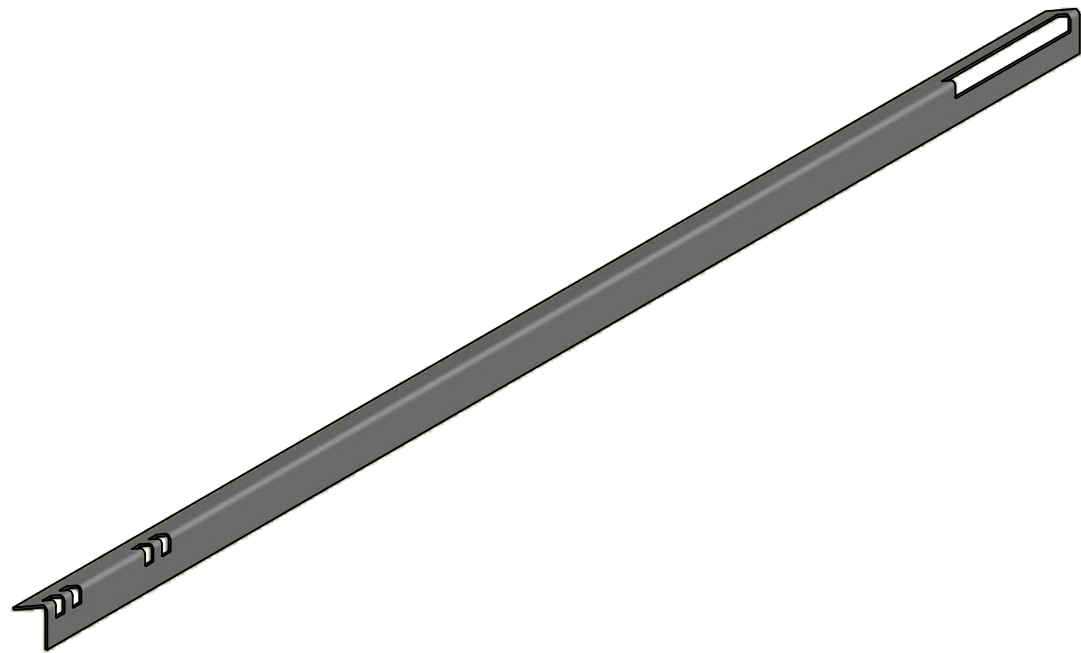
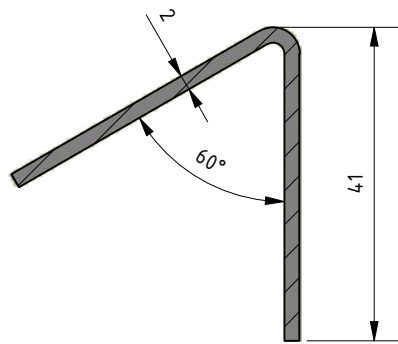
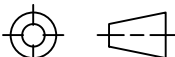



A-A (1 : 1)



For PV panel lengths from 900 to 1100 mm

| | | | | |
|--|--|------------------|------------------------|-----------------|
| American projection:  VAN DER VALK  SOLAR SYSTEMS www.valksolarsystems.nl | Scale: 1:6 | Author: V. Prins | Comments: | |
| | Unit: mm | Group: | | |
| | Material: Steel, Magizinc [S350 Z310] | Date: 15-2-2017 | Rev: A | State: Released |
| | Description: Verz. ballast drager ValkPro+ | | Part number.: 74.25.48 | Size: A3 |