

1

2

3

4

A

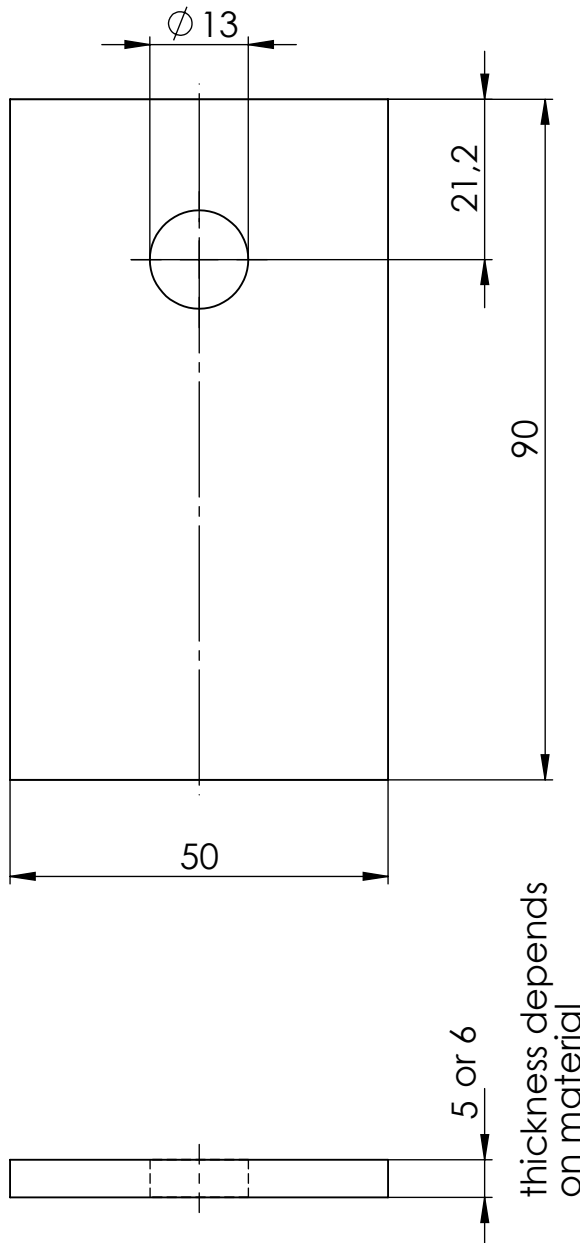
B

C

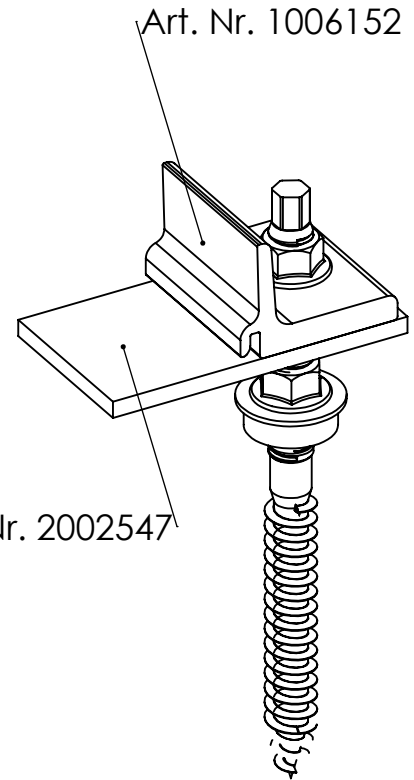
D

E

F



Art. Nr. 2002547

thickness depends
on material

Art. Nr. 2002547

Art. Nr. 1006152

installation example
M1:2

For Art. Nr.:

1006169 - M 12x200
 1006170 - M 12x250
 1006171 - M 12x300
 1006172 - M 12x350
 1006173 - M 12x400



K2 Systems GmbH
 Industriestr. 18
 71272 Renningen
 07159/42059-0

Designation:

Data sheet
 Hanger bolt
 Adapter Plate Alu CR M12

	Name	Date	Material:	Henger bolt ALU: EN AW 5754 H14/ H16 EN AW 6060 T6 EN AW 6063 T66	Item no.:	A4
Designed	M.Preiß	06.03.2017	Surface:		Drawing no.:	04-29-002
Approved	.	.	Weight:	ca. 300g/ piece	Scale:	1:1
Last change	.	.				All dimensions in mm Sheet 1 of 1

This drawing is the sole property of K2 Systems GmbH. It is protected by copyright and may only be copied, reproduced or distributed to a third party with explicit permission!