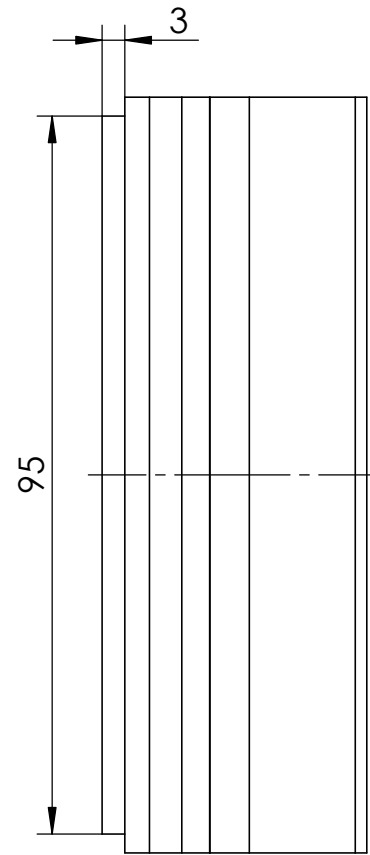
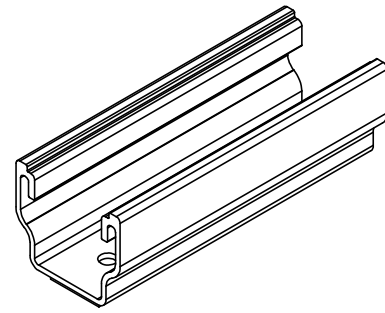



Isometrie
1 : 2



Pos.No.	Designation	Material	Quantity
1	MultiRail 10 Cutting	EN AW 6063 T66	1
2	MultiRail 10 EPDM tape	EPDM	1

 <p>K2 Systems GmbH Industriestr. 18 71272 Renningen Germany +49 7159 42059-0</p>	Designation:		<p>Data sheet MultiRail 10</p>		
	Material:				Item no.:
	see table		2001300		A4
	Designed	A. Soumpalas	12.10.2022	Drawing no.: 01-004-03	
Approved	A. Gerstenberger	12.10.2022	All dimensions in mm		
Last change	A. Soumpalas	25.10.2022	Weight: ca. 64.2 g/pc	Scale: 1:1	Sheet 1 of 1
This drawing is the sole property of K2 Systems GmbH. It is protected by copyright and may only be copied, reproduced or distributed to a third party with explicit permission!					